



Super High Resolution™ DVI and HDMI Cables



Product Description:

DVIGear's Super High Resolution™ (SHR™) cables are engineered for unsurpassed performance and reliability in mission critical applications. These cables are designed to transport high speed digital DVI and HDMI signals with bit rates up to 2.25 Gbps over exceptionally long distances while maintaining pristine signal integrity.

When used in conjunction with DVIGear's Active Cable Extenders (ACE™), aggregate cable lengths of up to 60 meters (197 ft.) are possible while maintaining full compliance with DVI and HDMI signal parameters. The combinations of these products are **Active Cable** assemblies that rival the performance of DVI and HDMI fiber cables at a fraction of the cost, while providing superior ruggedness and durability.

Key Features:

- All cables 12.5 meters or longer include DVIGear's ACE™ (Active Cable Extender) and a 0.5 meter cable
- Supports HDMI v1.3 with "Deep Color" HDTV resolutions up to 1080p (12-bit)
- Supports HDMI v1.3 / Category 2 data rates (3.4 Gbit/sec.) lengths up to 7.5 meters
- Supports HDMI v1.3 data rates up to 2.25 Gbit/sec. lengths up to 40 meters
- Supports PC data rates up to 1.65 Gbit/sec. lengths up to 60 meters
- Supports PC resolutions up to 1600x1200 / 60 Hz and 1920x1200 / 60 Hz
- Heavy-duty 22AWG copper wires for minimum insertion loss
- Ultra-low Skew guarantees unsurpassed digital fidelity
- Triple shielded for superior noise immunity
- Dual UL Ratings: UL13 (CL2) and UL758 (AWM20276)
- In-Wall Rated
- RoHS compliant (green friendly)
- Gold plated connectors
- Available Types: DVI-D male to DVI-D male, HDMI male to DVI male, HDMI male to HDMI male
- Available Lengths (meters): 0.5, 1, 2, 3, 5, 7.5, 10, 12.5, 15, 20, 25, 30, 40, 50, 60
- Available Lengths (feet): 1.6, 3.2, 6.6, 9.8, 16.4, 24.6, 32.8, 41, 49.2, 65.6, 82, 98.4, 131.2, 164, 196.8
- Custom Lengths are available on request



Active Cable Extenders (ACE™)



Product Features:

DVIgear's ACE™ Active Cable Extenders are state-of-the-art dynamic equalizers that perform high speed cable compensation on long DVI and HDMI cables. The amount of equalization is automatically adjusted regardless of cable length connected. These units provide up to 40 dB of insertion loss correction at 825 MHz.

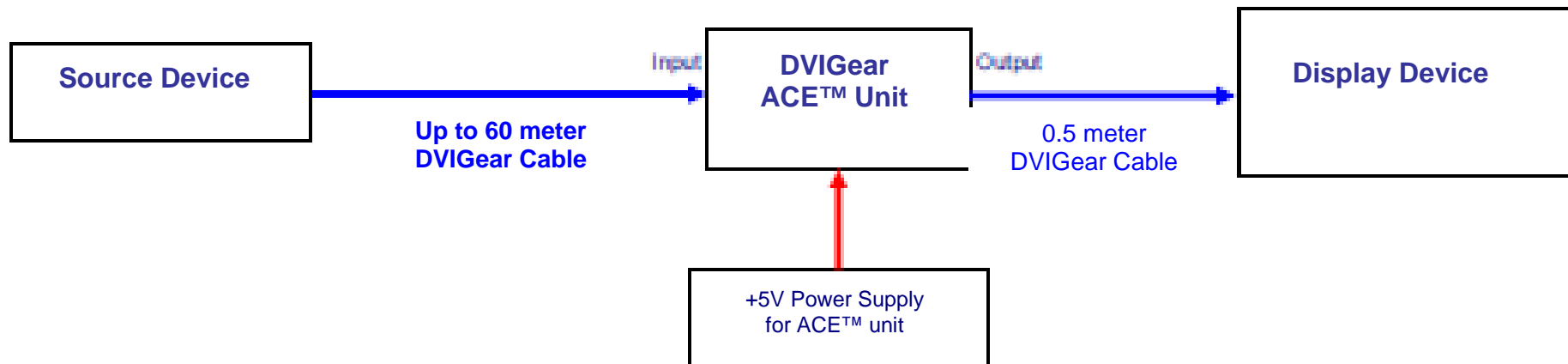
When used in conjunction with DVIgear's Super High Resolution™ DVI and HDMI cables, aggregate cable lengths of up to 60 meters (approximately 200 ft.) are possible. The combination of these products are active cable assemblies that are fully compliant with DVI and HDMI standards, and which provide superior performance, ruggedness, durability and value.

Specifications:

Model Number:	DVI-7171b	DVI-7176a	DVI-7370b
Description:	Active Cable Extender™ DVI Single-Link	Active Cable Extender™ DVI Dual-Link	Active Cable Extender™ HDMI
Connections:	29-pin Female DVI-D connector 5.5mm locking jack		19-pin Female HDMI connector 5.5mm locking jack
Power Supply: Power Consumption:	External Power Supply: Input: 100-240VAC, 50-60Hz Output: +5VDC @ 3.0A Typical: 1.25 watts (+5VDC @ 250 ma) / Maximum: 1.75 watts (+5VDC @ 350 ma)		
Resolution:	Supports all PC resolutions up to 1600x1200 and 1920x1200, DVI-7176a supports 2560x1600 and higher Supports HDTV resolutions up to 1080p and 2048x1080		
Bandwidth:	Pixel clock rates up to 165 MHz Signal bit rates up to 1.65 Gbps. DVI-7176a supports up to 3.3 Gbps.		
Mechanical Design:	Rugged, Corrosion Resistant Steel Housing		
Weight:	4.6 oz / 130 g	3.5 oz / 100 g	
Dimensions:	(L x W x H) 2.65 x 2.13 x 1.16 inches (67.4 x 54.0 x 29.5 mm)	2.23 x 1.67x 1.13 inches (56.6 x 42.3 x 28.8 mm)	
Environmental:	Operation: Storage: Humidity: 0°C. to 50°C. -40°C. to 105°C. 10% to 90% (non-condensing)		
Compliance:	UL, CE, RoHS		
HDCP Support:	Yes, HDCP Pass-through		



Active Cable Extenders (ACE™) Interconnection Diagram



Directions for Use:

DVIGear's Active Cable Extenders (ACE™) provide automatic cable compensation for DVI and HDMI cables with lengths up to 60 meters (196.8 ft.)

- 1) Before connecting this product, power OFF all equipment.
- 2) In order to ensure proper operation, it is essential that the ACE™ unit be installed at the display side of the long cable (see diagram above).
- 3) The ACE™ requires an External AC Power Adapter in order to deliver sufficient power to energize the unit's internal circuitry.
- 4) Connect a short cable (not longer than 3 meters) from the Output of the ACE™ unit to the input of the display.
- 5) After all connections have been made, apply power to the system in this sequence:
 - a. Apply power to the ACE™ unit
 - b. Turn ON the display
 - c. Turn ON source.
- 6) The image from the source should appear immediately on the display. If it does not, power OFF all equipment and recheck the connections, then try the power ON sequence again. If there are still problems contact DVIGear technical support for further assistance.